

Operational description:

To comply with FCC NPS (Network Protection Standard) requirements: NPS and other compliance/safeguard features for AGC and anti-oscillation have been implemented. NPS and other compliance/safeguard features are defaulted to be "On" (in operation). NPS and other compliance/safeguard features can not be field reconfigured, disabled or removed. This Amplifier is not user programmable, does not need fine tuning or adjustment, does not require professional installation. Most wireless providers consent to the use of signal Amplifiers. Some providers may not consent to the use of this device on their network. If you are unsure, contact your provider.

The antenna for the device has a 10 meter above ground maximum antenna height limitation when the device is used with a handset that covers the 1710-1755 MHz band. Violation of this rule could be subject to potential FCC enforcement action for noncompliance.

This device may be operated ONLY in a fixed location for in-building use.

This is a CONSUMER device.

BEFORE USE, you MUST REGISTER THIS DEVICE with your wireless provider and have your provider's consent.

Contact information for Amplifier registration:

Some providers have set up web-sites for Amplifier registration. If you don't see your provider on this list, please contact your provider for information on how to register your Amplifier.

AT&T: <https://securec45.securewebsession.com/attsignalAmplifier.com/>

Verizon: <http://www.verizonwireless.com/solutions-and-services/accessories/register-signal-Amplifier/>

T-mobile: <https://www.signalAmplifierregistration.com/>

Sprint: https://www.sprint.com/legal/fcc_Amplifiers.html

Us Mobile: <http://www.usMobile.com/usMobile/support/fcc-Amplifier-registration.jsp>

WARNING. E911 location information may not be provided or may be inaccurate for calls served by using this device.



Automatic power control protects the Mobile Network

For Inquires please contact Us
info@smoothtalker.com

Smoothtalker.com

Stealth Z4 4G LTE

High Power Building Amplifiers
Z460 Z465 Z472

4 Band
MULTI BAND

Building 60-70dB

User Manual

Mobile *RX/TX* **60-70dB 4 Band**
Signal Amplifier **MULTI BAND 60-70dB**
High Power Building Amplifier

2G, 3G, 3G+, 4G, 4G+	
GSM,HSPA,CDMA,LTE, LTE A	
Band 1	2100MHz
Band 3	1800MHz
Band 8	900MHz
Band 20	800MHz

BBEUZ4 Series



model shown: BBEUZ460



In 2001 SmoothTalker produced the first digital mobile Mobile signal Amplifier in North America with FCC and ICAN approval. We continue to lead with the most powerful and intelligent Amplifiers in the world. Our dynamic adaptive proprietary algorithms make them very network friendly. We call it STEALTH TECH technology.

Smoothtalker.com

1) Installation:

Connect the inside antenna and the outside antenna as shown in Fig. 1, Pg. 4.

2) Outside antenna:

- Place outside antenna outside of the house in the area that has the best signal.
- If outside location is unavailable, place the outdoor antenna on a window with the best signal.

3) **Inside Antenna:** Connect the inside antenna as shown in Fig. 1, Pg. 4.

4) **Separation:** Increase the distance of the outside and inside antenna as much as possible to maximize coverage and avoid gain reduction.

5) **Power:** Connect the power supply to the Amplifier and turn it on.

6) **Coverage:** Use your cell phone to determine if coverage is OK. If coverage is not adequate, please look at the Green and Orange lights to determine if the Amplifier has automatically turned down its gain per LED Gain Chart on Pg. 6. If so pls try to separate or move antennas as per explanation on Pg. 5/6.

Important: Use only the power supply included with the Amplifier. Connecting any other power supply at any time will result in damage to the Amplifier and will void the warranty. Do not turn on the power switch until ALL cables have been screwed or plugged into the Amplifier or you can cause damage to the Amplifier.

Optional Dual Inside Antenna Installation (Fig. 2)

(Additional parts required which are not included in Amplifier kit
See page 2 for list of approved equipment)

- Choose a splitter model for your needs. For 2 interior antennas use a 2 way splitter and for 3 interior antennas use a 3 way splitter etc...
- Mount the interior antennas in the areas which need Mobile coverage
- Evenly distribute the antennas throughout the floors and areas to cover
- Turn on Amplifier unit and check signal strength improvement as needed

If you need help pls contact techsupport@smoothtalker.com and we will help you determine your cell tower location and get you setup.

techsupport@smoothtalker.com

Typical Installation (Fig. 1)
(All parts are included in Amplifier kit.)



Fig. 1

Optional Dual Inside Antenna Installation (Fig. 2)
(Additional parts required which are not included in Amplifier kit.)

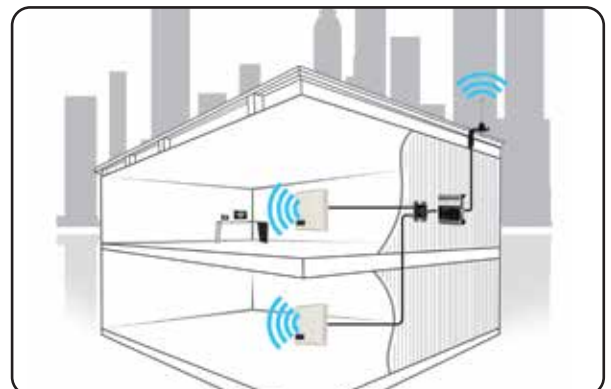


Fig. 2

Contents

Optional outside antennas



NOTE:
Only one of the outside antennas is included in this kit. All kits include necessary brackets and co-axial cables for assembly. It is normal for the Amplifier to be quite warm while the phone is in use state. All parts shown are not included in all kits. Please check your model number for more details at smoothtalker.com

To comply with European rules, this Amplifier must only be operated with cables, antennas and coupling devices that have been approved for use with this equipment.

SPECIFICATIONS Stealth Z4 4G LTE 2G, 3G, 3G+, 4G, 4G+, GSM, HSPA, CDMA, LTE, LTE A				
Frequencies MHz	2100MHz	1800MHz	900MHz	800MHz
Model	BBEUZ460	BBEUZ465	BBEUZ470	
Gain	60	65	70	
Max Power TX: dBm	24.0	24.0	24.0	
Max Power RX: dBm	0.0	0.0	0.0	
Operating temp	-30 C + 85 C	Power supply	120V AC/DC	
Dimensions	L 12.7 x W 12.0 x H 3.2 (cm)		Weight 0.660 kg	

LED Lights Explanation and Troubleshooting

The LED lights on the Amplifier face plate indicate the operating gain state of the Amplifier.

The Green and Orange lights indicate the gain status in each operating band. When Both Green and Orange LED's are "SOLID ON" it means that the Amplifier is operating normally with full gain (No Automatic Gain Reduction)

When one or both of the LEDs are flashing (Per the chart on Pg. 6) it indicates that the gain has been automatically reduced due to either:

- A) High RX outside signal level (close to cell tower)
- B) Loop Oscillation, caused when the inside antenna is located too close to the outside antenna.

Each flash indicates 3dB of gain reduction also known as gain attenuation. For example: three flashes equals 9dB of attenuation.

Green LED indicates loop oscillation status. When flashing it means reduction of gain. To improve you need to spread the distance between the inside and outside antennas. If you spread them far enough away, the Green LED will become SOLID ON.

Orange LED indicates RX (outside signal) status.

There are 5 Orange LED lights: 700 Mhz Lower, 700 Mhz Upper, 850 Mhz, 1700/2100 Mhz, 1900 Mhz ext. LED ON state indicates that the RX (Receive Signal) function of the band is functioning normally. LED OFF state indicates that the band is shut down.

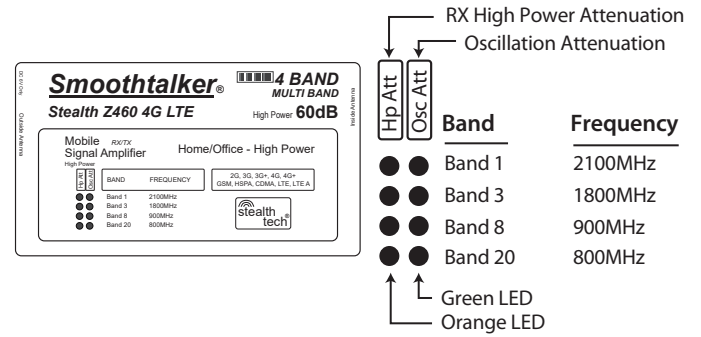
When Orange LED is flashing it indicates reduced gain also known as attenuation of gain. You cannot prevent this condition. It means that the outside signal is very strong and the Amplifier has reduced its gain in order to protect the closest cell tower. If the cell tower which is close is the one you are using, then you can ignore the gain reduction and you will still get enough signal strength to cover your area. In this case this is the normal operating process.

If the close cell tower is not the one you are using, then you can try to relocate your outside antenna away from this cell tower and face it or point it to the cell tower you are using in order to get more gain.

If you need help pls contact techsupport@smoothtalker.com and we will help you determine your cell tower location and get you setup.

techsupport@smoothtalker.com

Understanding the LED Indicators



LED Lights Status Explanation

Attenuation (Att)	ORANGE LED High Power	GREEN LED Oscillation
Each flash indicates up to 3dB of gain reduction also known as gain attenuation. For example: three flashes equals 9dB of attenuation.		
Orange Solid ON = Full Gain & Green Solid ON = Full Gain No Flashing = Full Gain		
Orange Solid ON & Green Slow Flashing = Oscillation Att Each Flash = up to 3dB of gain reduction		
Orange Off & Green Fast Flashing = Oscillation Shutdown Fast Flashing = Amplifier shutdown (pls troubleshoot)		
Orange Slow Flashing & Green Solid ON = RX High Power Att Each Flash = up to 3dB of gain reduction		

Approved Equipment List

For specifications of any of the Smoothtalker European approved part numbers listed below visit smoothtalker.com
European requirements prohibit the use of unauthorized Antennas, Cables, and/or Coupling devices.

You MUST operate this device with approved antennas and cables as specified by the manufacturer. Antennas MUST be installed at least 8 inches from any person. You MUST cease operating this device immediately if requested by the European or a licensed wireless service provider.

ANTENNA CABLES	SPLITTERS
ACX100X, ACX900X	ADCSPN2
CBXmaXfe10,20,30,40,50,60	ADCSPN3
CBNmaNfe10,20,30,40,50,60	ADCSPN4
CBGmaGfe 10,20,30,40,50,60,70,80,90,100	ADCSPG2
CBL4maL4fe 10,20,30,40,50,60,70,80,90,100	ADCSPG3
ANTENNAS	ADCSPG4
SEM2THL, 11THL, 14THL, 26THL series	
SRP1X, SRP1XL	
SRBL series	
SEMD1 series	
SEMDA2 series	
SEMO series	
SEMDP1 series	
SEMDY series	
SEMDYD series	